

JVC

SERVICE MANUAL

MICR COMPONENT MD SYSTEM

UX-A70MDR

Supplement

Area Suffix

B U.K
 E ---Continental Europe
 EN Northern Europe
 EV Eastern Europe

- It will guide to be change in the following in service manual UX-A70MDR No.20907 issued before.

- 1.The mistake is partially found in MD and the CD adjustment, and all sentences are replaced.
 (Refer to page 1-29 ~ 1-32 of service manual UX-A70MDR No.20907)
2. Guide of extension cable for repair.

Parts No.	Usage
QUQ110-2130BM	Extension for MD unit
EXTUXA70MD-14P	Extension for CD unit (2 piece use)

Contents

Adjustment method (CD/MD section)-----	1-2
1)CD section -----	1-2
2)MD section-----	1-3

Adjustment Method (CD/MD section)

1. Jigs and test instruments

- Laser power meter
- Laser power meter sensor (or disk sensor)
- Premastered disk (MRG-1018)
- Recordable disk

2. Adjustment and check items

1) Indications in the modes that all LCD's are on

2) CD section

- (1) Indication of the C1 error
- (2) Cancel of the C1 error indication

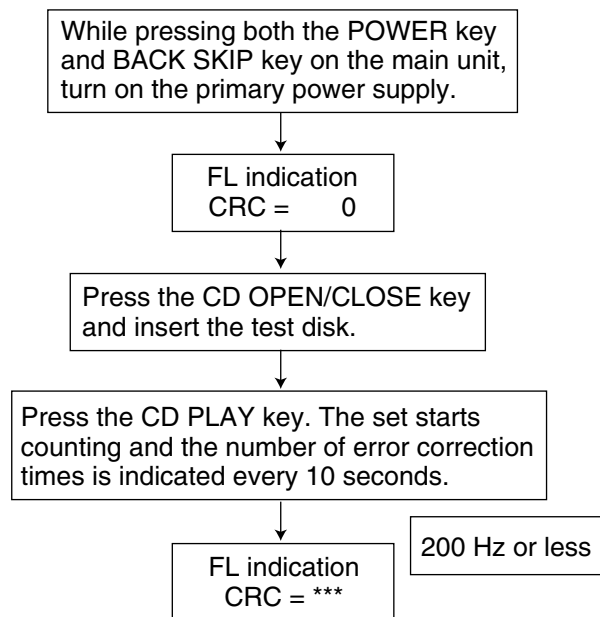
3) MD section

- (1) Setup of the TEST MODE 1
- (2) Initialization of the EEPROM
- (3) Adjustment of the laser power
- (4) Adjustment of the disk
- (5) Setup of the TEST MODE 2
- (6) Indication of variation in the pickup adjustment value
- (7) Indication of the C1 error
- (8) Cancel of the TEST MODE

3. Adjustment and check method

1) CD section

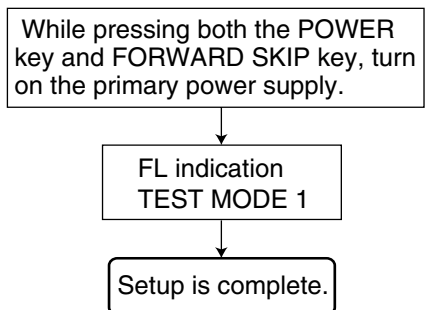
- (1) Indication of the C1 error



- (2) Cancel of the C1 error indication
To cancel the C1 error indication, cut off the power supply.

2) MD section

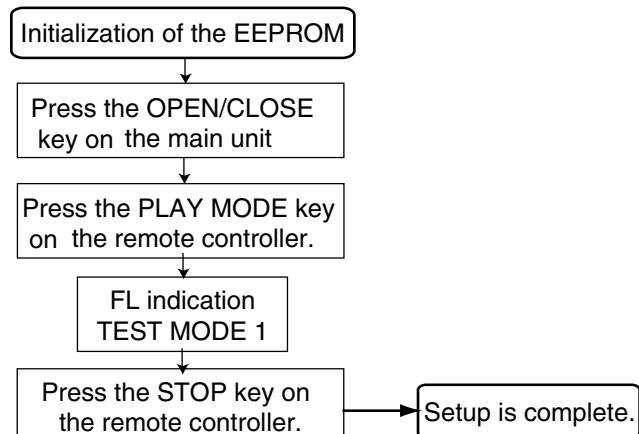
(1) Setup of the TEST MODE 1



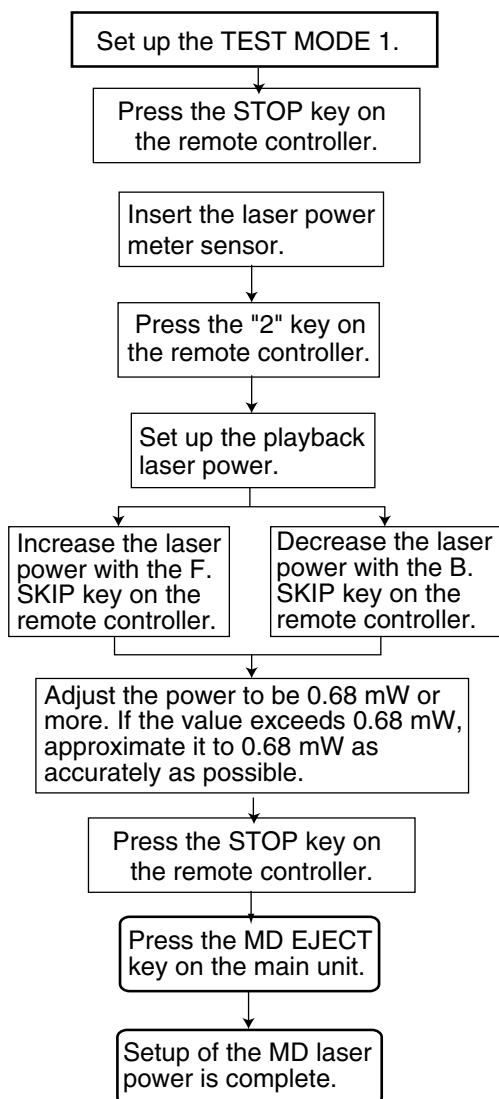
(2) Initialization of the EEPROM

(The EEPROM can be initialized on the precondition that the setup of the TEST MODE 1 is complete. After setup of the TEST MODE 1, proceed to the following operations with the remote controller*.)

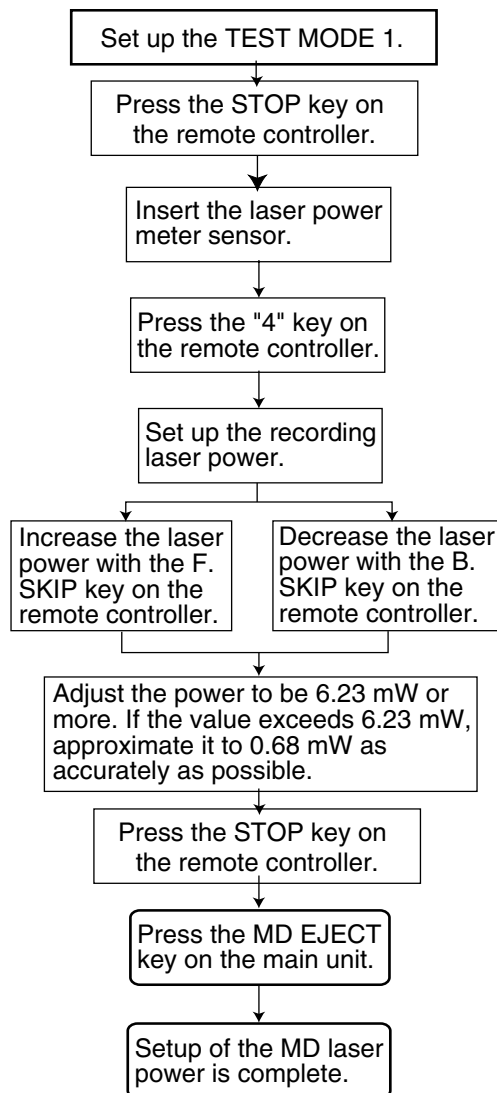
* For EJECT operation, use the EJECT key on the main unit.



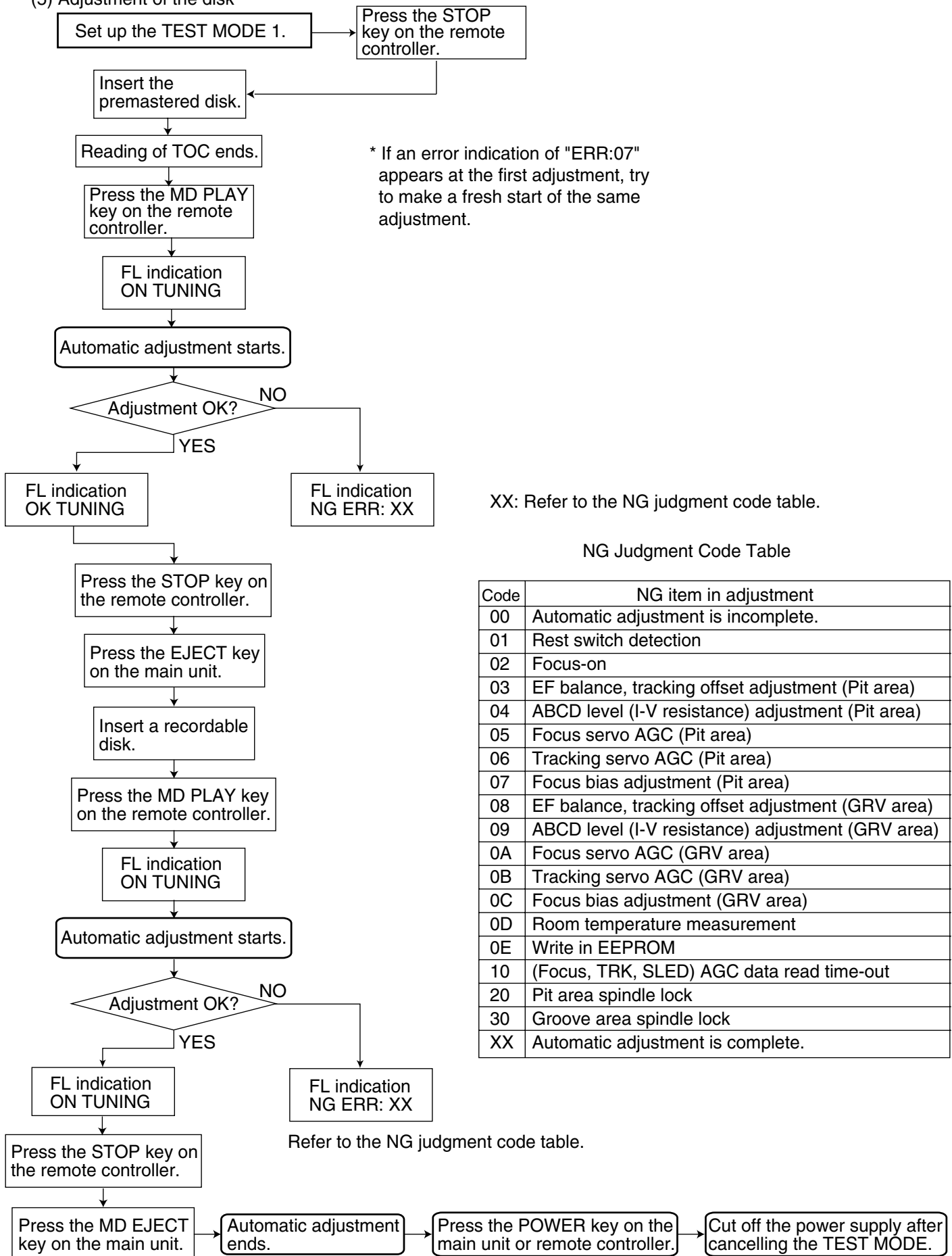
(3) Adjustment of the playback laser power



(4) Adjustment of the recording laser power



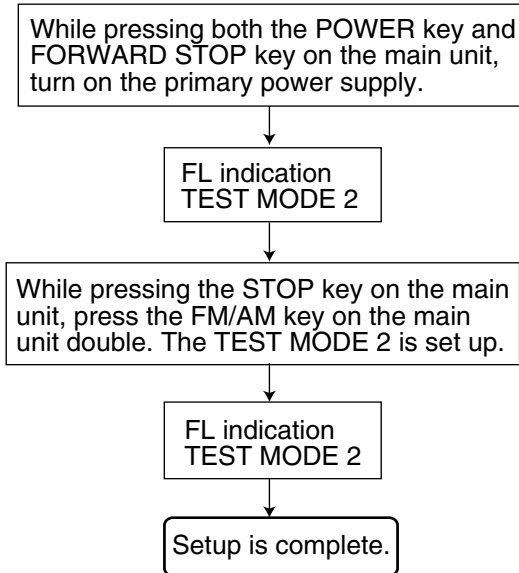
(5) Adjustment of the disk



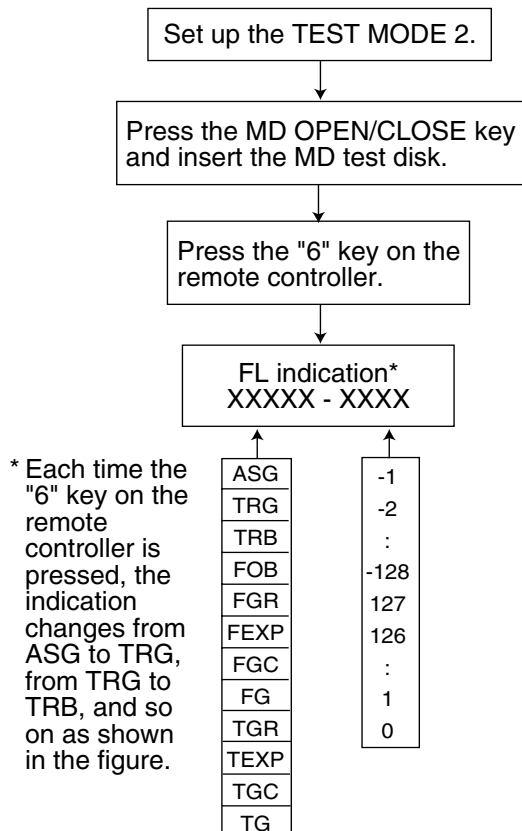
For investigating the mode in which an error occurred during the disk adjustment, freeze the set in the mode by pressing the proper key (refer to the table on the right) on the remote controller before cancelling the TEST MODE 1.

Key to press	Mode
SLEEP key (Remote controller)	FOCUS SEARCH
"6" key (Remote controller)	PIT ROUGH SERVO
"7" key (Remote controller)	GROOVE ROUGH SERVO
"8" key (Remote controller)	TRACKING ON
"9" key (Remote controller)	TRACKING OFF
STOP key (Remote controller)	STOP
EJECT key (Main unit)	EJECT

(6) Setup of the TEST MODE 2

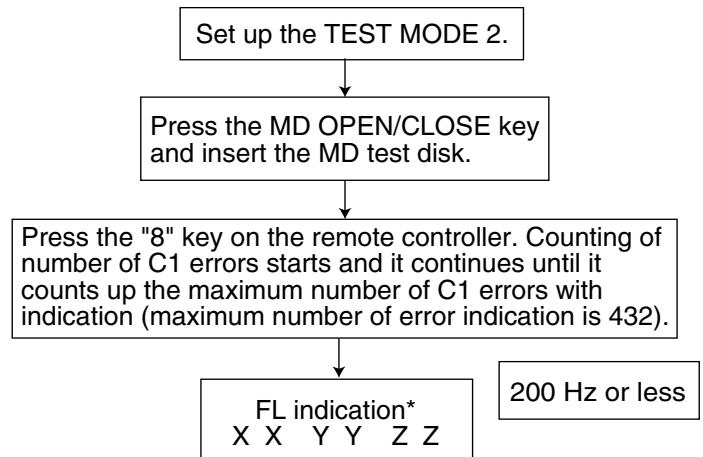


(7) Indication of variation in the pickup adjustment value



* Each time the "6" key on the remote controller is pressed, the indication changes from ASG to TRG, from TRG to TRB, and so on as shown in the figure.

(8) Indication of the C1 error



(9) Cancel of the TEST MODE
(The cancel operation is common to the TEST MODE 1 and 2.)

Cut off the primary power supply to cancel the TEST MODE.



VICTOR COMPANY OF JAPAN, LIMITED

AUDIO & COMMUNICATION BUSINESS DIVISION

PERSONAL & MOBILE NETWORK BUSINESS UNIT. 10-1,1chome,Ohwatari-machi,Maebashi-city,371-8543,Japan